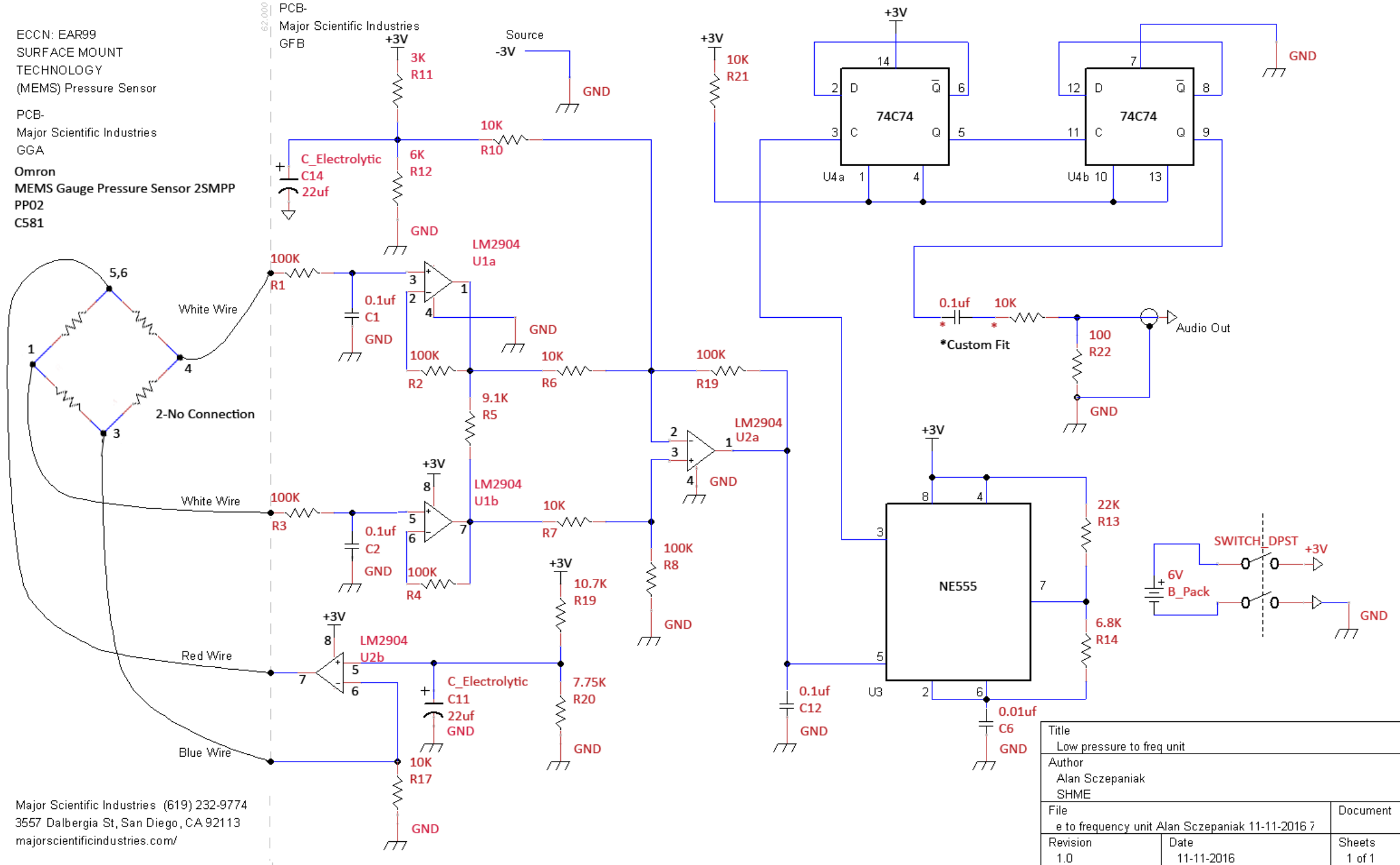


ECCN: EAR99
 SURFACE MOUNT
 TECHNOLOGY
 (MEMS) Pressure Sensor

PCB-
 Major Scientific Industries
 GGA

Omron
 MEMS Gauge Pressure Sensor 2SMPP
 PP02
 C581

62,000
 PCB-
 Major Scientific Industries
 GFB



Major Scientific Industries (619) 232-9774
 3557 Dalbergia St, San Diego, CA 92113
 majorscientificindustries.com/

Title Low pressure to freq unit		
Author Alan Sczepaniak SHME		
File e to frequency unit Alan Sczepaniak 11-11-2016 7	Document	
Revision 1.0	Date 11-11-2016	Sheets 1 of 1